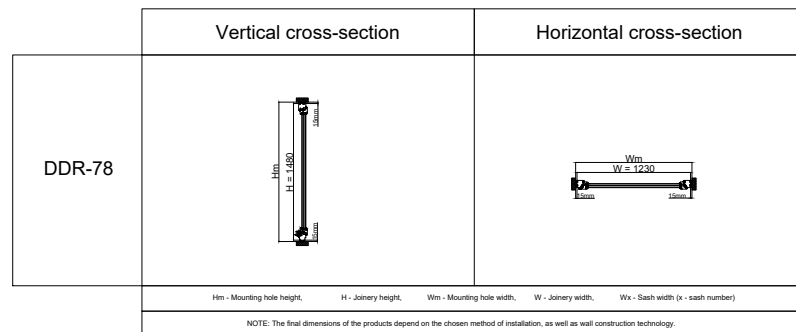


# Wooden window System DDR-78

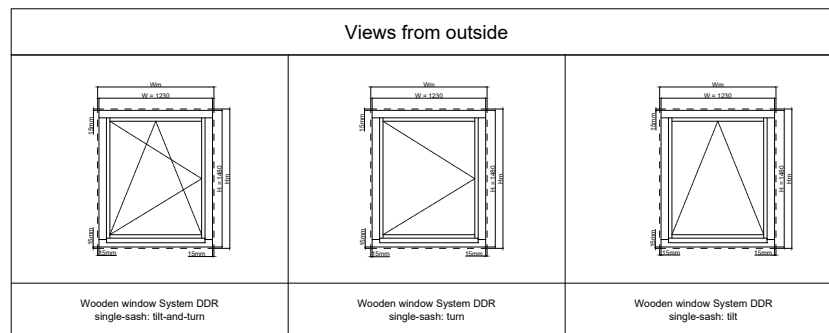
## 1-sash (reference)



### Wooden window System DDR

- Unique finishing shape in classic rustic style,
- Decorative milling to emphasize the character of stylish interiors,
- Stylized edges of outer sashes, frame and glazing beads,
- Parameters of thermal and acoustic insulation in accordance with building standards given in the table,
- Variants of wood type: pine, meranti, spruce (DDR-78)

Sophisticated series of wooden windows DDR, with an enriched profile line that gives the windows a unique and subtle appearance. The series allows use in buildings that require individual treatment and unconventional solutions. Decorative milling of the outer edges of the sashes and glazing beads give the windows an extremely elegant character, emphasizing the rustic character of buildings with stylish architecture and warm, traditional interiors.



Parameters of wooden reference window (single-sash window 1230x1480mm)									
System	Glazing package	U <sub>w</sub>	U <sub>g</sub>	TET (g)	LT	Resistance to wind load	Waterproofing	Air permeability	R <sub>w</sub>
DDR-68	4x16x4	1,3	1	0,5	0,68	NPD	7A	4	33dB
DDR-78	4x14x4x14x4	0,95	0,6	0,53	0,74	NPD	E900	4	34dB
DDR-92	4x16x4x16x4	0,83	0,5	0,38	0,59	NPD	5A	4	34dB

U<sub>w</sub> - heat transfer coefficient of the window, U<sub>g</sub> - heat transfer coefficient of the glazing package, TET(g) - solar energy transmittance, LT - light transmission, R<sub>w</sub> - acoustic properties

06/23

Skala 1:1

