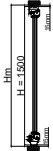
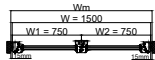


Wooden window System DDR-92

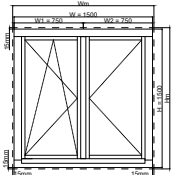
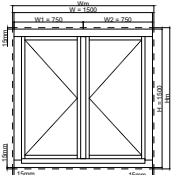
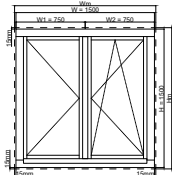
2-sash with movable post

Wooden window System DDR

	Vertical cross-section	Horizontal cross-section
DDF-92		
	<small>Hm - Mounting hole height, H - Joinery height, Wm - Mounting hole width, W - Joinery width, Wx - Sash width (x - sash number)</small>	
	<small>NOTE: The final dimensions of the products depend on the chosen method of installation, as well as wall construction technology.</small>	

- Unique finishing shape in classic rustic style,
- Decorative milling to emphasize the character of stylish interiors,
- Stylized edges of outer sashes, frame and glazing beads,
- Parameters of thermal and acoustic insulation in accordance with building standards given in the table,
- Variants of wood type: pine, meranti, spruce (DDR-78)

Sophisticated series of wooden windows DDR, with an enriched profile line that gives the windows a unique and subtle appearance. The series allows use in buildings that require individual treatment and unconventional solutions. Decorative milling of the outer edges of the sashes and glazing beads give the windows an extremely elegant character, emphasizing the rustic character of buildings with stylish architecture and warm, traditional interiors.

Views from outside		
		
Wooden window System DDR double-sash: tilt-and-turn + turn movable post	Wooden window System DDR double-sash: turn-only movable post	Wooden window System DDR double-sash: turn + tilt-and-turn movable post

Parameters of wooden reference window (single-sash window 1230x1480mm)									
System	Glazing package	Uw	Ug	TET (g)	LT	Resistance to wind load	Waterproofing	Air permeability	Rw
DDR-68	4x16x4	1,3	1	0,5	0,68	NPD	7A	4	33dB
DDR-78	4x14x4x14x4	0,95	0,6	0,53	0,74	NPD	E900	4	34dB
DDR-92	4x16x4x16x4	0,83	0,5	0,38	0,59	NPD	5A	4	34dB

Uw - heat transfer coefficient of the window, Ug - heat transfer coefficient of the glazing package, TET(g) - solar energy transmittance, LT - light transmission, Rw - acoustic properties

06/23

Skala 1:1

All technical drawings are protected by copyright. It is forbidden to copy, reproduce, reprint, publish, broadcast or transmit any text, images of graphics, logos, drawings, as well as selection and arrangement of the above elements, for any commercial or public purposes without prior consent of DAKO.

